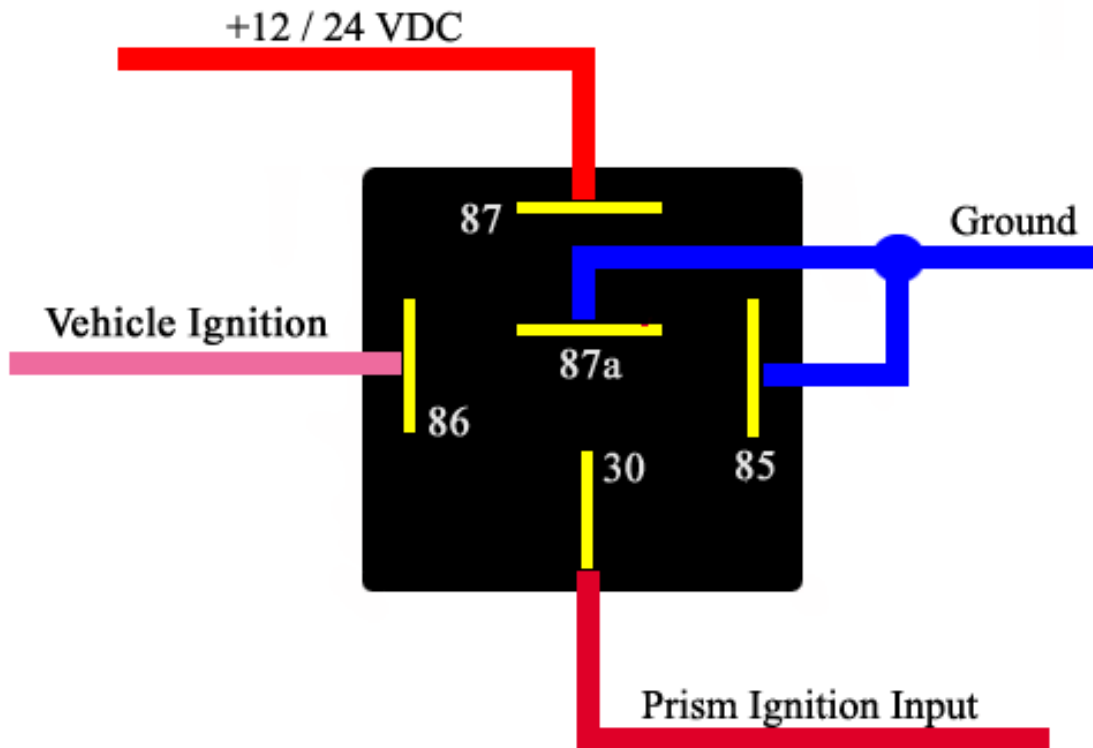


HEP – IGNITION RELAY

Relay Pin	Description	Teletrac Relay Socket Color	Prism I/O color
30	Prism Ignition Input	Blue	White
85	Vehicle Ground	Green	N/A
86	Vehicle Ignition	Brown	N/A
87	+12 / 24VDC	Yellow	N/A
87a	Vehicle Ground	N/A	N/A

HEP - IGNITION RELAY



NOTE: This diagram will work for both 12 & 24 volt systems but you must use the correct relay for the corresponding voltage.